

FITTING INSTRUCTIONS

Thank you for purchasing this quality product by Weiss™. With your **ClearFlow™ Wall** correctly installed you can be assured of many years of trouble free operation.

PLEASE READ ALL INSTRUCTIONS CAREFULLY BEFORE COMMENCING INSTALLATION.

Note: Pictures and diagrams on packaging are designed only to be used as a concept. All installation details should be carried out as per the instructions herein.

SUITABILITY

The **ClearFlow™ Wall** has been designed to fit into cavity walls.

BEFORE YOU START

ClearFlow™ Wall must not be mounted in areas subject to direct splashing. Refer to New Zealand standard NZECP2: 1988 Section 4.6 and Australian Standard AS3000:1991, Section 6.2.

DUCTING

It is now a requirement to duct all air extractor fans to the outside of the building. The **ClearFlow™ Wall** is designed specifically to meet this requirement. All ducting components that are required to duct your **ClearFlow™ Wall** are included in this unit.

SAFETY NOTE

This appliance is not intended for use by persons (including children) with reduced physical, sensory or mental capabilities, or lack of experience and knowledge, unless they have been given supervision or instruction concerning use of the appliance by a person responsible for their safety. Children should be supervised to ensure that they do not play with the appliance. As this appliance does not have a plug included with the supply cord, appropriate means of disconnection are required to be incorporated in the fixed wiring in accordance with the AS/NZS wiring rules. If the supply cord is damaged, the entire unit must be replaced by the manufacturer, its service agent or similarly qualified persons in order to avoid a hazard. Precautions must be taken to avoid the back-flow of gases into the room from the open flue of gas or other fuel-burning appliances. Ensure that the fan is switched off from the supply mains before removing the guard.

CLEANING

To clean the fascia, simply wash it by hand with a damp cloth and warm soapy water. Do not use abrasives or solvent cleaners.

FAN PLACEMENT

The fan needs to be placed as far away from the air flow entering the room as possible. As this will mean fresh air is drawn throughout the room.

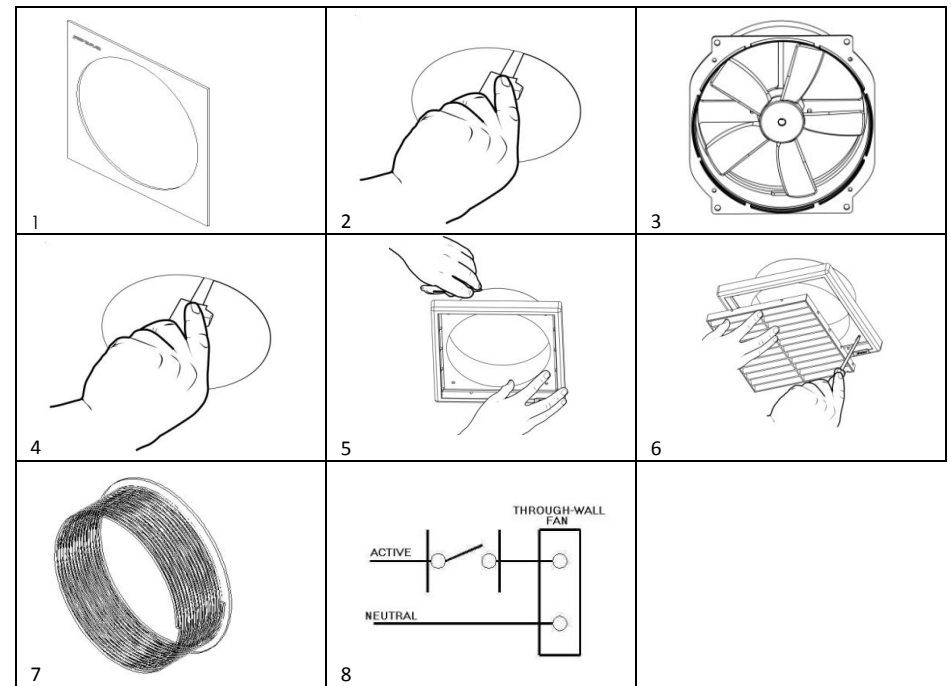
FAN EFFICIENCY

The main points affecting fan efficiency are:

- 1) Good fan placement
- 2) Good air flow into the room

IMPORTANT NOTE

When installing the Fascia Mounting Back (refer to steps 1-3), ensure that the hole you cut is round and does not put any pressure on the sides of the Fascia Mounting Back, which may distort it making it difficult to clip the fascia on.



1. Position the motor mounting back in the area you want your **ClearFlow™ Wall** and using the template provided as a guide draw the circle with a pencil to mark the cutting hole size.
2. Use a saw to cut out the pencil drawn lines. **Before you cut be sure to check the location of the wall studs and nogs.** The fan assembly must fit freely in the hole. See important note at the bottom of the page.
3. Measure the position for the outlet vent from the hole you have just cut, and using the vent as a guide, draw the circle with a pencil to mark the cutting hole size.
4. Use a saw to cut out the pencil drawn lines. It is important that the two holes you have cut line up.
5. Stretch the Ducting to its full length and cut using a knife, so that the ducting protrudes through the inner wall by 40mm.
6. Fit the flexible ducting to the outlet vent and slide vent back and cover into place using the four screws provided. Press the grill into the outlet vent and click into place
7. Wire the fan unit into the wall cavity then screw the fan assembly to the wall and test. Connect the wiring as illustrated in the wiring diagram above.

COMPLETING THE INSTALLATION

Slide the ducting over the fan unit and fold the wire so the whole assembly can be pushed back into the wall. Slide the motor mounting back into place and screw into place using the four screws provided (use the outer most screw holes). Press the grill onto the motor mounting back and click into place. Ensure the fascia mounting back is perpendicular to the wall.

| | | |
|--|--|--|
| Weiss Limited reserves the right to alter designs and specifications without notice. | Weiss Limited recommends that the electrical installation be completed by a qualified electrician and comply with local wiring regulations | Do NOT test this product, or an installation that includes this product with a Mega. |
|--|--|--|

Weiss Limited, 20b Arwen Place, East Tamaki
PO Box 204120 Highbrook Auckland
New Zealand
Tel: +64-9-274-4113, Fax: +64-9-274-1880
Web: www.weiss.co.nz

FITTING INSTRUCTIONS

Thank you for purchasing this quality product by Weiss™. With your **ClearFlow™ Wall** correctly installed you can be assured of many years of trouble free operation.

PLEASE READ ALL INSTRUCTIONS CAREFULLY BEFORE COMMENCING INSTALLATION.

Note: Pictures and diagrams on packaging are designed only to be used as a concept. All installation details should be carried out as per the instructions herein.

SUITABILITY

The **ClearFlow™ Wall** has been designed to fit into cavity walls.

BEFORE YOU START

ClearFlow™ Wall must not be mounted in areas subject to direct splashing. Refer to New Zealand standard NZECP2: 1988 Section 4.6 and Australian Standard AS3000:1991, Section 6.2.

DUCTING

It is now a requirement to duct all air extractor fans to the outside of the building. The **ClearFlow™ Wall** is designed specifically to meet this requirement. All ducting components that are required to duct your **ClearFlow™ Wall** are included in this unit.

SAFETY NOTE

This appliance is not intended for use by persons (including children) with reduced physical, sensory or mental capabilities, or lack of experience and knowledge, unless they have been given supervision or instruction concerning use of the appliance by a person responsible for their safety. Children should be supervised to ensure that they do not play with the appliance. As this appliance does not have a plug included with the supply cord, appropriate means of disconnection are required to be incorporated in the fixed wiring in accordance with the AS/NZS wiring rules. If the supply cord is damaged, the entire unit must be replaced by the manufacturer, its service agent or similarly qualified persons in order to avoid a hazard. Precautions must be taken to avoid the back-flow of gases into the room from the open flue of gas or other fuel-burning appliances. Ensure that the fan is switched off from the supply mains before removing the guard.

CLEANING

To clean the fascia, simply wash it by hand with a damp cloth and warm soapy water. Do not use abrasives or solvent cleaners.

FAN PLACEMENT

The fan needs to be placed as far away from the air flow entering the room as possible. As this will mean fresh air is drawn throughout the room.

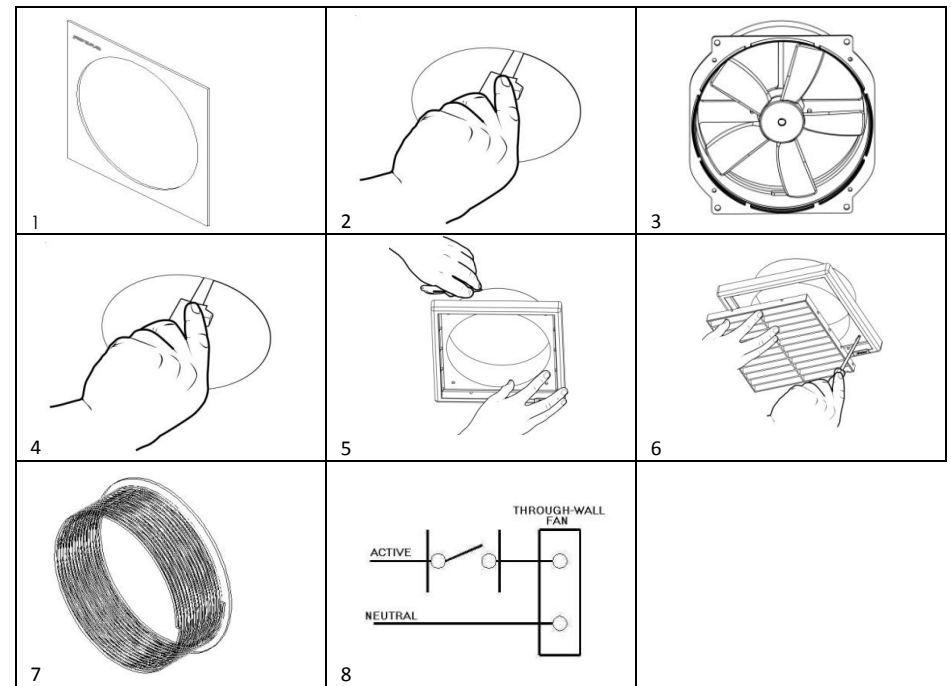
FAN EFFICIENCY

The main points affecting fan efficiency are:

- 1) Good fan placement
- 2) Good air flow into the room

IMPORTANT NOTE

When installing the Fascia Mounting Back (refer to steps 1-3), ensure that the hole you cut is round and does not put any pressure on the sides of the Fascia Mounting Back, which may distort it making of it difficult to clip the fascia on.



1. Position the motor mounting back in the area you want your **ClearFlow™ Wall** and using the template provided as a guide draw the circle with a pencil to mark the cutting hole size.
2. Use a saw to cut out the pencil drawn lines. **Before you cut be sure to check the location of the wall studs and nogs.** The fan assembly must fit freely in the hole. See important note at the bottom of the page.
3. Measure the position for the outlet vent from the hole you have just cut, and using the vent as a guide, draw the circle with a pencil to mark the cutting hole size.
4. Use a saw to cut out the pencil drawn lines. It is important that the two holes you have cut line up.
5. Stretch the Ducting to its full length and cut using a knife, so that the ducting protrudes through the inner wall by 40mm.
6. Fit the flexible ducting to the outlet vent and slide vent back and cover into place using the four screws provided. Press the grill into the outlet vent and click into place
7. Wire the fan unit into the wall cavity then screw the fan assembly to the wall and test. Connect the wiring as illustrated in the wiring diagram above.

COMPLETING THE INSTALLATION

Slide the ducting over the fan unit and fold the wire so the whole assembly can be pushed back into the wall. Slide the motor mounting back into place and screw into place using the four screws provided (use the outer most screw holes). Press the grill onto the motor mounting back and click into place. Ensure the fascia mounting back is perpendicular to the wall.

| | | |
|--|--|--|
| Weiss Limited reserves the right to alter designs and specifications without notice. | Weiss Limited recommends that the electrical installation be completed by a qualified electrician and comply with local wiring regulations | Do NOT test this product, or an installation that includes this product with a Mega. |
|--|--|--|

Weiss Limited, 20b Arwen Place, East Tamaki
PO Box 204120 Highbrook Auckland
New Zealand
Tel: +64-9-274-4113, Fax: +64-9-274-1880
Web: www.weiss.co.nz