



Weiss Limited

FM2400 Flush Mount Space Heater

230-240 VAC 50Hz

Flush Mount Space Heater

PLEASE READ ALL INSTRUCTIONS CAREFULLY BEFORE COMMENCING INSTALLATION.

Note: Pictures and diagrams on packaging are designed only to be used as a concept. All installation details should be carried out as per the instructions herein.

WEISS Space Heaters incorporate electronic thermostat control, providing assured temperature control which reacts to temperature variations at the floor level where the cold air tends to accumulate.

- The appliance is not to be used by persons (including children) with reduced physical, sensory or mental capabilities, or lack of experience and knowledge, unless they have been given supervision or instruction. Children should be supervised not to play with the appliance.
- Use this appliance only with the voltage specified on rating label.
- **Do NOT** use this appliance other than for its intended use.
- **Do NOT** touch hot surfaces or moving parts.
- **Do NOT** cover the grilles or place any object or material up against the unit, as this may block entry or exhaust of airflow.
- **Do NOT** probe any opening to remove fluff. To ensure trouble-free performance it is important that every 3 months the unit be isolated from the power supply and a vacuum cleaner used to remove dust and fluff from the inlet and outlet grilles.
- **Do NOT** allow the supply cord to come into contact with heated surfaces during operation.
- If used in conjunction with another heater fitted with an electronic programmer, ensure that the heater can operate safely in accordance with these operational instructions.
- Regulations require that electrical work be carried out by authorised persons. For your own safety and that of others, ensure this is done.

This appliance must be installed in accordance with the relevant electrical wiring rules and regulations. A registered Electrician must be used to install this product and a COC is required for a warranty claim.

CAUTION

If the heater is used on the Freeze Guard setting, ❄️ or operated via a timer, ensure the heater is not obstructed in any way by furniture or drapes etc. Ensure the heater can operate safely, should the heater switch on when the ambient temperature drops, or if Freeze guard activates the heater.

IMPORTANT!

When operated for the first time, the heater may emit a slight odour. This is normal, and should clear within a few minutes. It is recommended you open windows and doors during this process.

Removing the front cover:

WARNING : always ensure the power supply is switched off or disconnected when the front cover is off
Unscrew the locking screws on each side of the front inlet grill and let the grill assembly tilt forward and then lift the front panel up and off the unit.

ADDITIONAL PRODUCT NOTES

- The heater must not be located immediately below a socket outlet.
 - The heater must not be located in front of a socket outlet.
 - A wall switch must be incorporated in the fixed wiring as means for disconnection in accordance with AS/NZS wiring rules.
 - Size of fixed wiring cable: 1.5-2.5mm². The fixed wiring cable needs to be so installed and connected to the terminal board that at least 8mm clearance is maintained between exposed, unsheathed conductors.
 - The appliance is to be installed so that switches and other controls cannot be touched by a person in the bath or shower.
 - Joists, beams and rafters shall not be cut or notched to install the appliance.
 - Cut-out dimension: 321 mm wide x 383 mm high.
 - The minimum required distance from the heater to any floor is 150mm.
 - The minimum required distance from the heater to any adjacent wall is 200mm
 - All internal wall insulation must be 150mm away from the unit body.
- Your WEISS FM2400 space heater is fitted with auto-reset thermal cutouts and a fusible link. These safety devices will automatically switch off the elements should the heater reach an abnormal temperature. Should this occur switch the heater off immediately, and disconnect from the power supply. Allow the heater to cool down, and check for blockage of the air vents. Use a vacuum cleaner to clean if necessary. If the heater still fails to operate after this, disconnect from the power supply again and contact the nearest authorized service agent.

INSTALLATION PROCEDURE

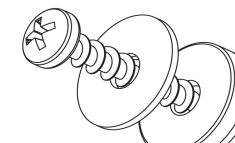
Connection Details

The fixed wiring cable enters into the appliance via either of the 2 x cable knockouts in the top face of the main body. The heater is supplied with an internal terminal connection block to which the 3 (Earth, Active, Neutral) incoming connections are to be made. A suitable disconnection device (acting in all active supplies) is required to be incorporated in the fixed supply wiring. Care must be taken to avoid disturbing internal wires when the external fixed wiring is introduced. The fixed wiring must be protected, for example, by insulating sleeving having an appropriate temperature rating.

Due to the precision of the heater's electronic thermostat, the unit is highly sensitive to air drafts. For this reason, carefully determine the unit's location before installation. Please check the rating label on the product for supply requirements.

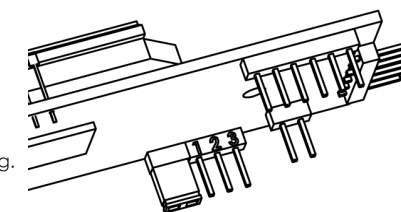
Mounting Instructions

Place the heater into the cutout, ensuring it is level and the minimum distance between the heater and the adjacent surfaces are adhered to. The heater is fixed to the wall studs directly with 4 screws mounted through silicone grommets in the main body. The metal washers must be used between the grommet and screw head.



Run Timer Function (to be set at time of installation)

The Weiss FM2400 Flush Mount Space Heater comes set to run continually under the control of the electronic thermostat with no jumpers on pins 1 2 or 3. You may wish to set the total run time of the heater to limit power use when the room is not in use. Remove the rear cover to allow access. The jumpers are on the right hand end of the PCB.
Note: Remove jumper from unmarked pins to use for timer setting.



Move this Jumper for timer setting

By choosing jumper position 1+2, the total run time is limited to 3 hours. Jumper position 2+3 limits run time to 6 hours.

Once the set time has elapsed, the heater will switch off. The On/Off Switch must be reset for the unit to operate again.

Take care when screwing front panel in place. To avoid bending the panel - do not apply pressure to panel.

UNIT OPERATION

Once your Weiss Heater has been safely installed, turn the heater on and set the temperature to the desired temperature, 10-35°C. By switching out of ECO to BOOST the heater it will warm the room faster. Once the room is warm the heater could be returned to ECO mode.

UNIT OPERATION (Cont.)

ON/OFF button: When the heater is turned on with the ON/OFF button use the up/down arrows to set the desired room temperature and then use the (ECO) button to select ECO or BOOST Heating mode.

Run Time: If run time control has been set up when the heater was installed a countdown timer will be displayed at the bottom of the screen and turn the heater off after the pre set time has elapsed. This pre set time is not adjustable by the user.

Keypad lock: The ON/OFF button is held down for 6 seconds to lock/unlock the keypad – 'L' is displayed on the temperature segment of the LCD when any key is pressed if lock is active.

Up/Down Arrows: In normal operation these change the temperature up or down. But in MENU operation toggle from Normal operation – Fan only operation - Frost mode.

Menu Operation: In menu operation the Down arrow will toggle between: Normal heater operation under thermostat control – Fan only operation – Freeze Guard mode. To enter the MENU, hold the ECO button down for 4 seconds. The "Temperature segments" will flash on the LCD screen; if the DOWN arrow is not pressed within 3 seconds then current setting is retained. But If the Down arrow is pressed within 3 seconds the "Fan Blade symbol" will flash, this will be selected if no arrow key is pressed within a further 3 seconds. If the DOWN arrow was pressed within 3 seconds Freeze Guard is set and the ❄ symbol will flash on the temperature segments.

ECO button: Toggles between 1 or 2 ECO and BOOST

Fan only Operation: There is no heating in this mode and the fan runs continually until turned off. The fan blade symbol displayed on the LCD screen.

Freeze Guard: The heater can be set and left in this mode if Freeze Guard is required, if the ambient room temperature drops below 5°C the heater will start and continue to operate until the temperature rises above 5°C. The default setting is ECO but you can select BOOST. The snow symbol is displayed on the LCD screen and the set point temperature (5) is displayed on LCD, this cannot be changed.

Note: should the heater not operate when set to a lower temperature the room may already be warmer than the thermostat setting.

Specifications:

FM2400
2200-2400W

ELECTRICAL

Supply: 230-240 Volts AC, 50 Hz, single phase
Permanent connection

Features:

Run timer
Electronic Thermostat
On/Off switch
Element switch, ECO or BOOST
LED Indicator

SERVICING/CLEANING

The heater requires regular cleaning to ensure trouble free operation, Isolate the heater from the power supply first. **Vacuum the inlet and outlet grills EVERY 3 MONTHS to remove any lint or fluff, failure to observe this procedure will invalidate your warranty.** The heater is best wiped down, from time to time, with a damp cloth. Do not use any abrasive cleaners.

If your heater is in need of servicing, contact the nearest authorized service agent.

A fusible link is fitted to this heater and if it needs replacing it **MUST only be replaced with Weiss part number: SM-Link.**

Note: The unit includes a 12 amp replaceable main fuse.

Weiss Limited reserves the right to alter designs and specifications without notice.



FM2400 Installation and Operating Instructions

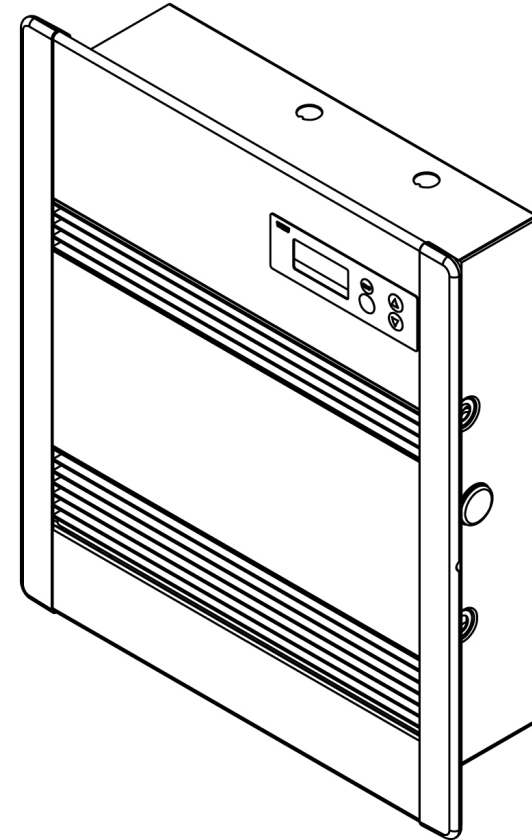


Image depicts Model FM2400

For your safety please follow the Installation and operating Instructions