

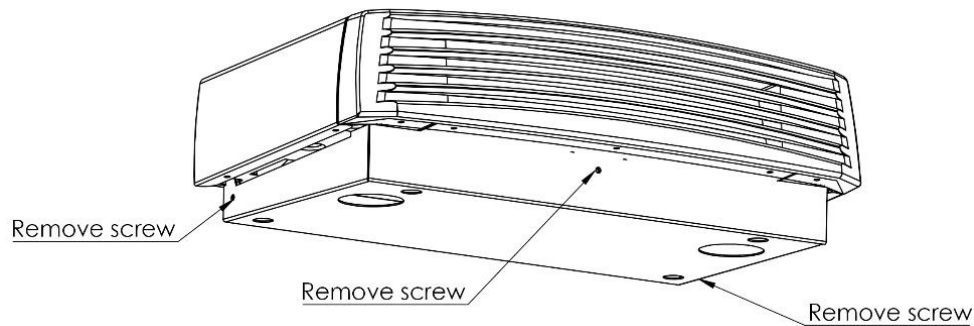
Instructions for replacing the pull cord on a FH30 Heater

Warning!

The Product needs to be **isolated from the mains supply** before any work can start! This means Unplugging the product from the wall socket.

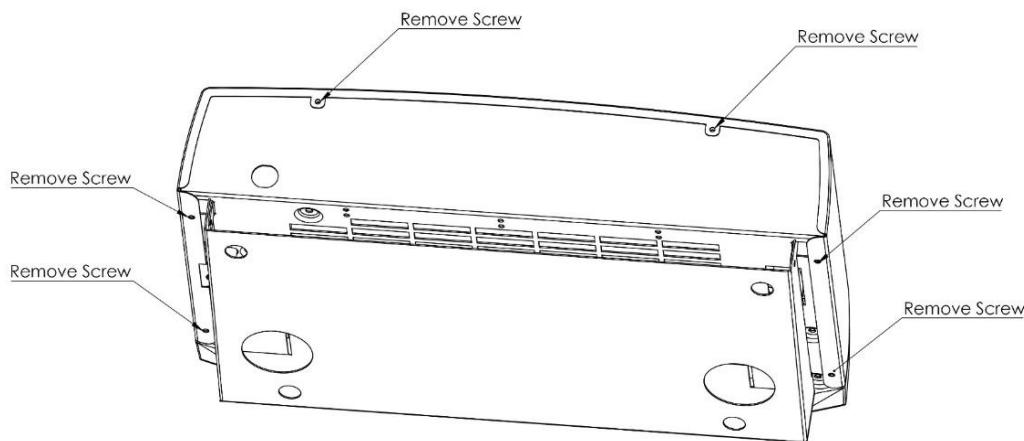
We do not recommend that anyone other than a qualified electrician deals directly with electrical components, however if you choose to follow these instructions you do so at your own risk.

- 1) Remove heater from wall bracket
- 2) This will require the removal of 3 Philips screws from base plate as shown in Diagram 1.



- 3) Remove the top heater cover. To do this:
 - a) Remove 2 Philips screws from rear of heater.
 - b) Remove 4 Philips screws from bottom as shown in Diagram 2

To remove the Top Cover, remove the highlighted screws



- 4) Remove broken pull cord from the switch. (As you look at the back of the heater with the grill facing toward you it will be on the top right)
- 5) Add the replacement sleeve to the replacement cord
- 6) Insert the replacement cord via the **bottom** of heater through the small hole.

(Note: you will need to burn (Heat to melt) the end of the cord to and make it easier to thread through the hole) This hole is located in the base below the pull switch

- 7) Tie off the replacement with a knot after passing it through the switch lever.
- 8) Pull the sleeve up to the top of the cord near the switch leaving approx. 5 mm slack and tie a knot to retain the sleeve in this position
- 9) Replace the cover and return the unit to the wall.