

Instructions for replacing the pull cord on a FH24 Heater

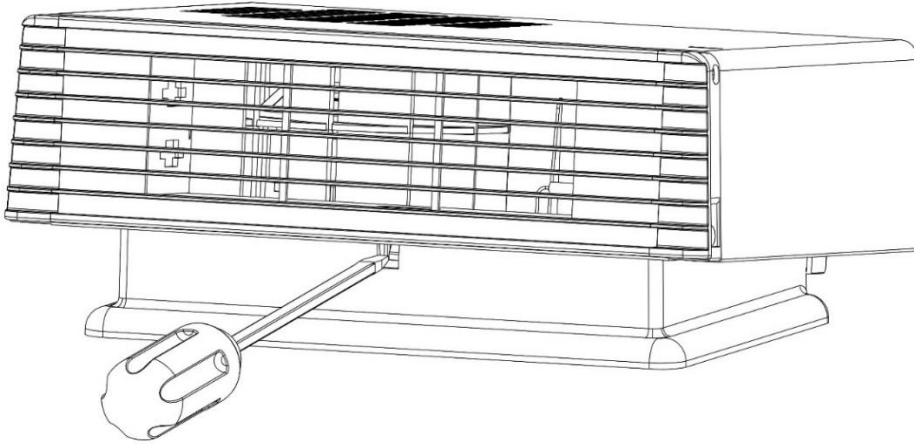
Warning!

The Product needs to be **isolated from the mains supply** before any work can start! This means Unplugging the product from the wall socket.

We do not recommend that anyone other than a qualified electrician deals directly with electrical components, however if you choose to follow these instructions you do so at your own risk.

- 1) Remove heater from wall bracket.

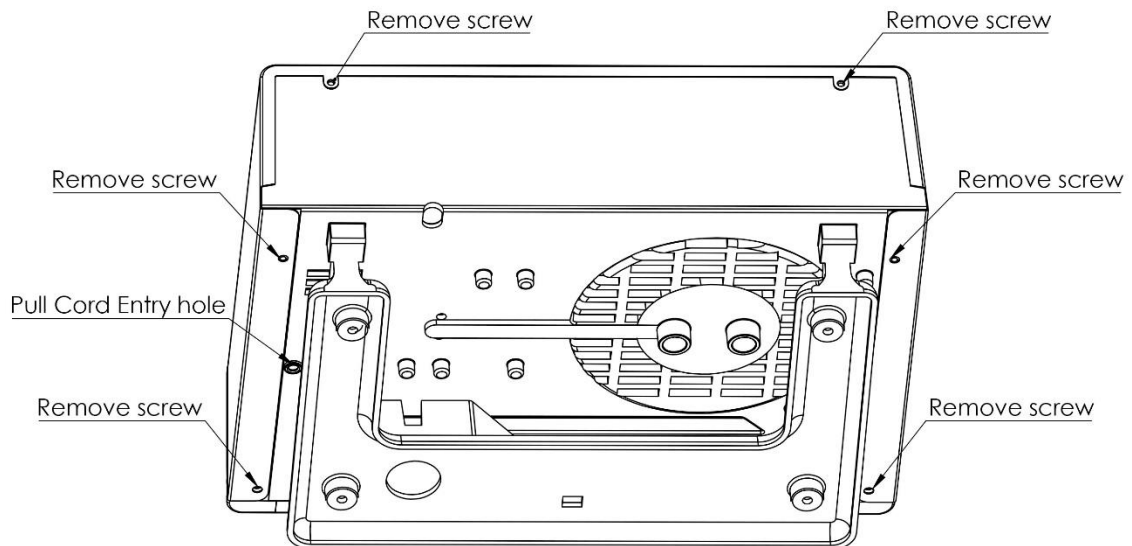
This will require gently placing the screwdriver tip in the hole underneath the heater as shown in Diagram 1 and removing the heater from the wall.



- 2) Remove the top heater cover.

To do this:

- a) Remove 2 Philips screws from rear of heater.
- b) Remove 4 Philips screws from bottom as shown in Diagram 2



- 3) Remove broken pull cord from the switch.
- 4) Insert the replacement cord via the **bottom** of heater through the small hole.

(Note: you will need to burn the end of the cord to and make it easier to thread through the hole) This hole is located in the middle of the base unit on the right hand side

5) Tie off the replacement with a knot after passing it through the switch lever.

6) Replace the cover and return the unit to the wall.