

Technical Data Sheet

WEISS™

HS223

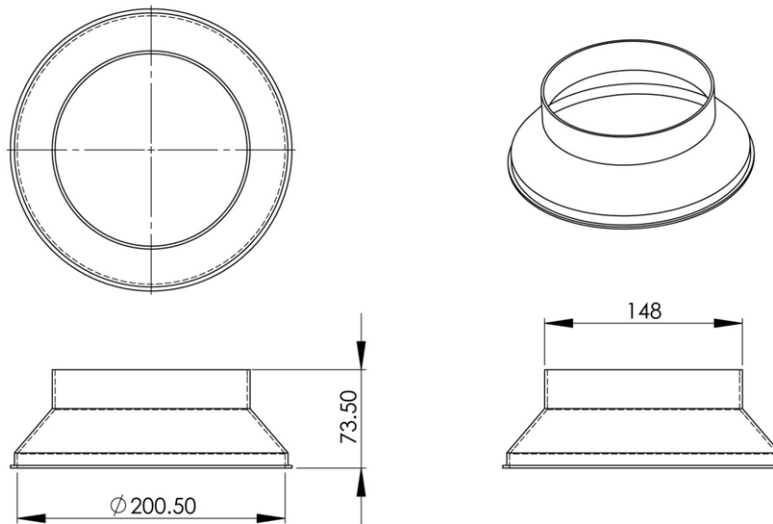
Ducting Adaptor 150mm-200mm

Hangsell

Dimensions

To fit duct size

150mm



General

150mm to 200mm plastic adaptor

Approval

N/A

Features

- Easy to install
- 1 year warranty

Technical Data Sheet

Product Use

To adapt 150mm ducting to 200mm ducting

Environmental Conditions

Climatic conditions	class 3K5
Temperature	0...+50°C
Humidity	<95% r.h.

Standards

Test standards	N/A
----------------	-----

Specifications

N/A

Ordering

When ordering please give name and type,	
Reference	HS223
Packaging	Hangsell

Technical Data

Material	Black ABS
----------	-----------