

# Technical Data Sheet



## HS150SET

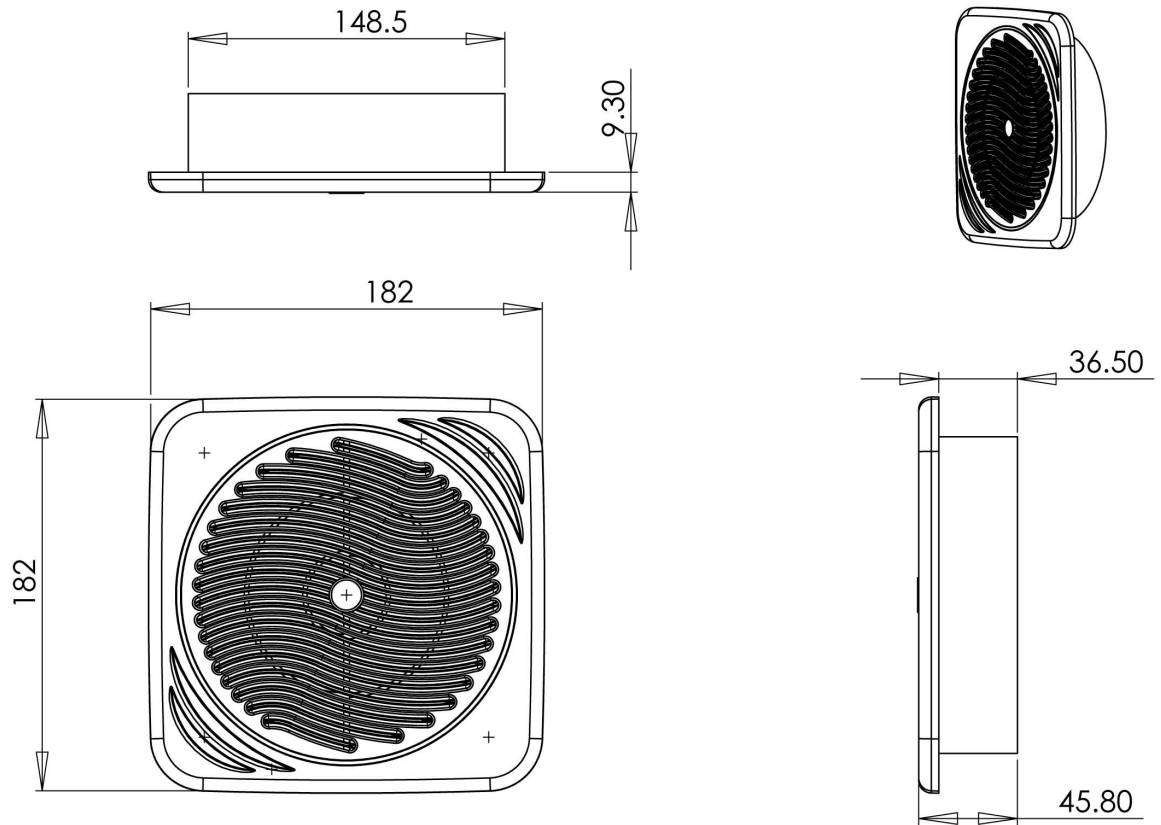
150mm Inlet/ Outlet Vent Set

Hangsell

### Dimensions

Cut-out size

155mm



### General

Removable plastic grille with 150mm surface mounting boss

### Approval

N/A

### Features

- Easy to install
- 1 year warranty

# Technical Data Sheet

## Product Use

Fascia Set

Typical applications:

- Bathrooms
- Toilets
- Laundry Areas

## Environmental Conditions

Climatic conditions

class 3K5

Temperature

0...+50°C

Humidity

<95% r.h.

## Standards

Test standards

N/A

## Specifications

N/A

## Ordering

When ordering please give name and type,

Reference

HS150SET

Packaging

Hangsell

## Technical Data

Material

white ABS