

Technical Data Sheet

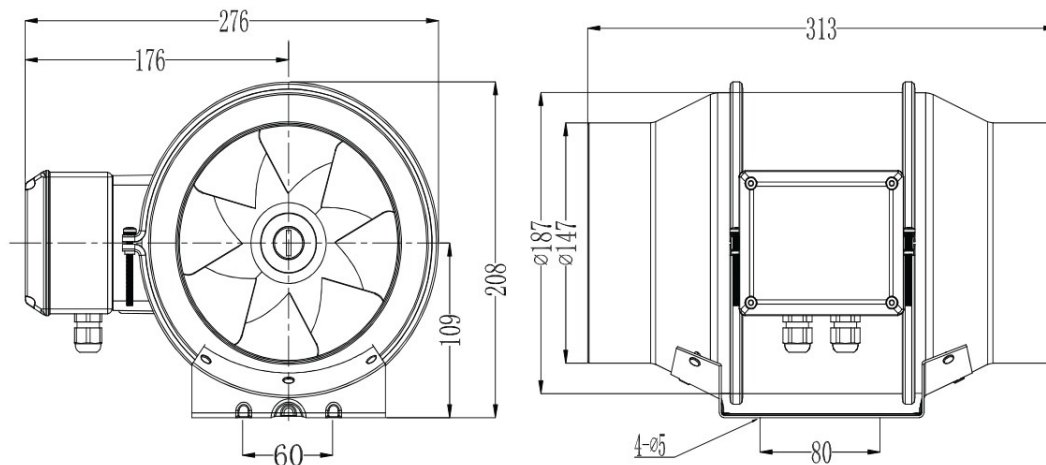
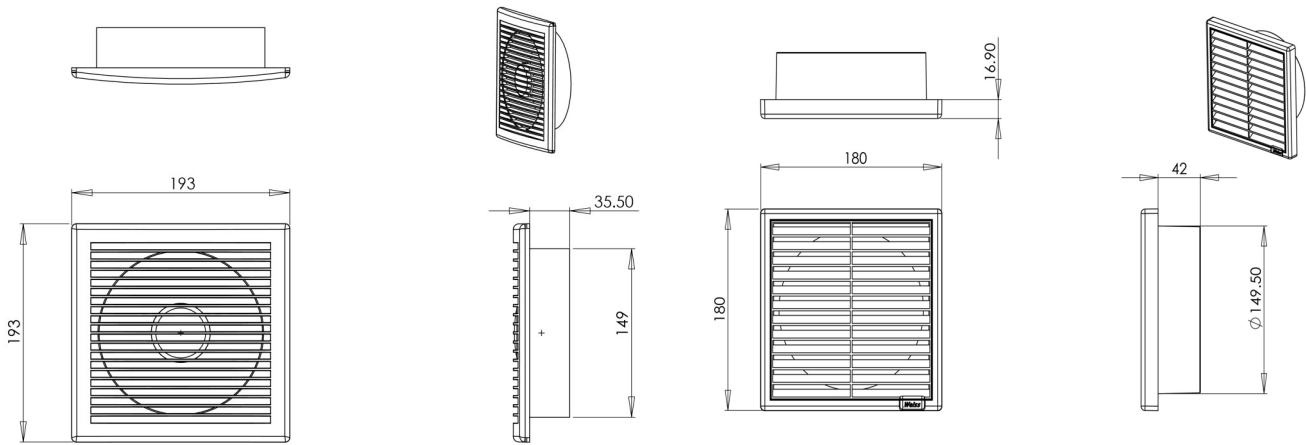
WEISS™

ER08P

ER Series EC Extraction Fan 150mm

Dimensions

Cut-out size for inlet fascia	155mm
Cut out size for outlet vent	155mm



Specifications

Weight	2.3kg
Colour of front fascia	White
Housing material	ABS

Approval

AS/NZS 603350.2.80:2004 Amdt 1
AS/NZS 60335.1.2011 incl Amdt.1

Features

- Easy to install
- Built in controller with on demand extraction
- 3 metres of 150mm ducting supplied
- 150mm EC fan motor
- Continuous trickle extraction
- Allows moisture to be removed to the outside of your home
- All parts are included
- 5 year extended warranty

Technical Data Sheet

Product Use

The ER08Pis used for the extraction of mist and steam

Typical applications:

- Bathrooms
- Toilets
- Laundries

Environmental Conditions

Operation	to IEC 721-3-3
Climatic conditions	class 3K5
Temperature	0...+50°C
Humidity	<95% r.h.

Standards

AS/NZS 60335.2.80:1T Amdts 1-3 "Electric Fans".	This is a Level One product with a brushless DC motor that has a very low risk of causing EMC interference
EMC Compliance	

General

Installed Fan Performance	590m ³ / hr 163.4L/sec
Installed decibel rating	31DB

Ordering

When ordering please give name and type,	
Reference	ER08P
Barcode	9420004902970

Technical Data

Power supply	230 VAC
Power consumption	max. 0.019~0.45A
Supply Line Fusing	max. 10A
Connection terminals	screw clamp terminals
For solid wires	2 x 1.5mm ²
Max product wattage	73Watts
Free air fan performance	63~650m ³ /hr

WEISS™

ER Series

Model ER13P Mixed Flow Fan



ENERGY EFFICIENCY

WEISS ER13P

A+ A B C D E F G

31 dB

590 m³/h

Model	Voltage (V)	Power (W)	Speed (RPM)	Airflow (m ³ /hr)
ER13P	220-230 50/60 Hz	3 - 73	500 - 3000	63 - 590

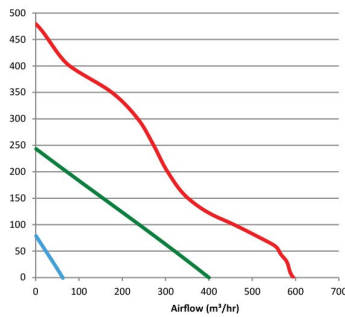
Specific Fan Power (SFP)
0.398 Watts per l/s

Model	HF-150PE
Fan Construction	ABS Plastic
Voltage	230 VAC
Frequency	50 Hz
Current	0.019 ~ 0.45
RPM	500 ~ 3000
Air Flow m ³ /hr	63 ~ 590
Air Flow l/sec	17 ~ 164
Pa	457
Power Max	73
Sound dB(A) Av	31
Max Operating Temp	60
IP	IP44
Climate Class	T
Compliance:	AS/NZS 60355.2.80 T

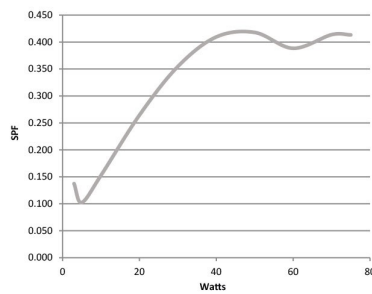
Features and Benefits

- High-flow and high-pressure fan
- EC - DC motor
- Re-engineered for New Zealand
- 50,000 hour rated bearings
- PWM or 0 - 10V control
- Main body removal for easy install

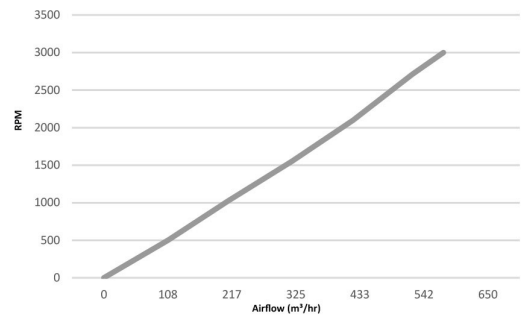
Performance Curve



Energy Curve



Flow rates RPM



Sound Performance Parameters

	dBa @ 3m	63 Hz	125 Hz	250 Hz	500 Hz	1k Hz	2k Hz	4k Hz	8k Hz	Total SPL
500 RPM	21.9	38	37	39	37	38	35	30	30	45.4
1500 RPM	36.2	47	46	54	55	53	49	32	38	59.7
3000 RPM	39.8	49	49	57	59	57	52	47	42	63.3