

# Technical Data Sheet

# WEISS™

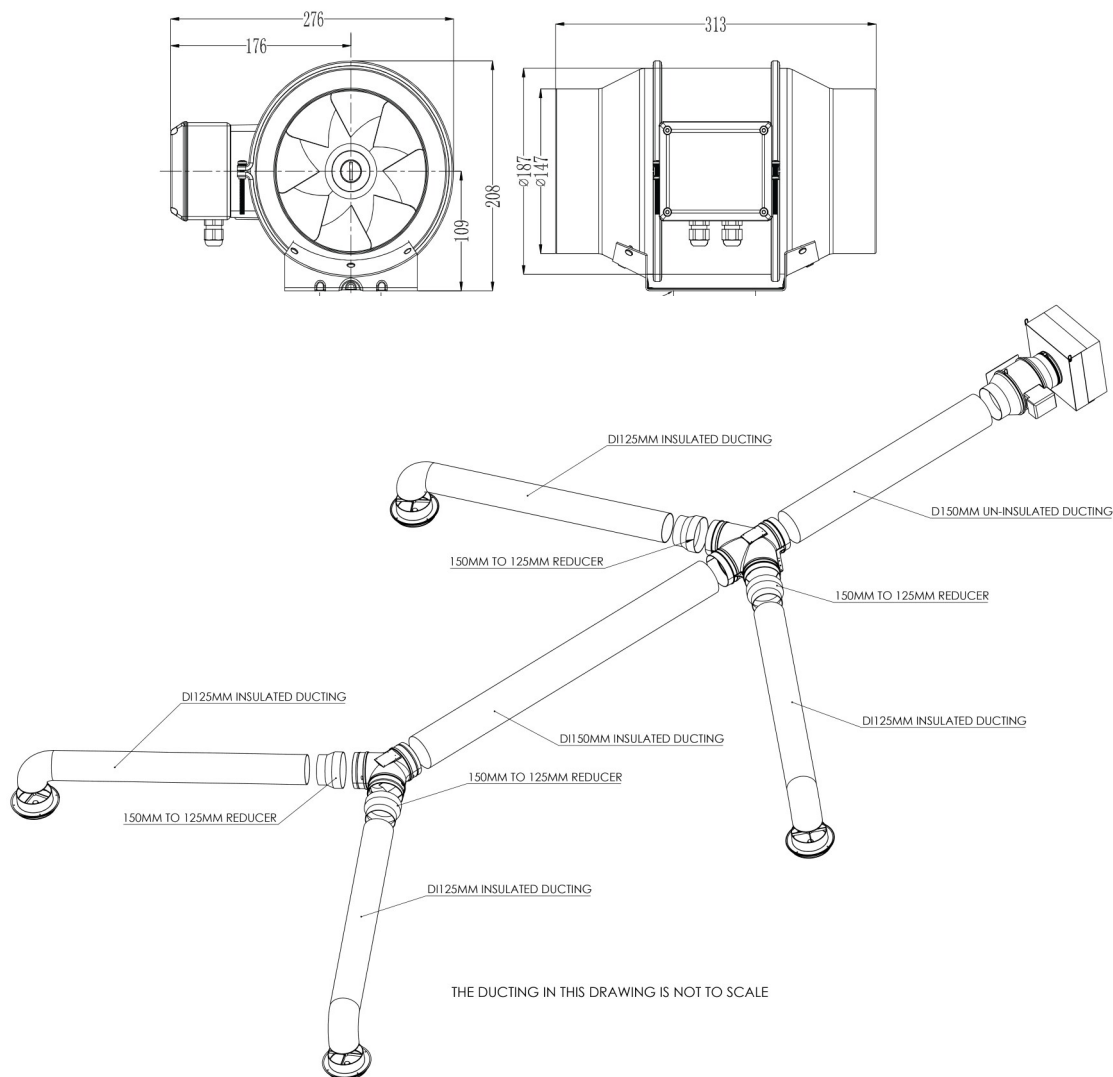
## ER04G

4 Outlet Home Ventilation System  
with LCD controller

### Dimensions

Ceiling cut-out size

131mm



### Specifications

Weight	6.5kg
Colour of front fascia	White
Fan Housing material	ABS

### Approval

AS/NZS 603350.2.80: T

### Features

- Easy to install
- LCD controller
- Automatic programmes plus manual mode
- All parts are included
- Insulated 125mm ducting
- Additional outlet kits available
- Fresh air option available
- F6 box filter
- 5 year extended warranty

# Technical Data Sheet

## Product Use

The ER04G is a full function 4 outlet home ventilation system

Typical applications:

- Suitable for a house up to 250m<sup>2</sup> Ventilates the whole home bringing dry, filtered air from the roof cavity.
- Optional extras include, Additional outlet kit ( up to 2 outlets can be added to this system and a Fresh air/summer kit.

## Environmental Conditions

Operation	to IEC 721-3-3
Climatic conditions	class 3K5
Temperature	0...+50°C
Humidity	<95% r.h.

## Standards

AS/NZS 603350.2.80:1T Amdts 1-3 "Electric Fans".  
EMC Compliance

This is a Level One product with a brushless DC motor that has a very low risk of causing EMC interference

## General

N/A

## Ordering

When ordering please give name and type,  
Reference ER04G

Barcode 942000490291-8

## Technical Data

Power supply	230 VAC
Power consumption	max. 0.019~0.45A
Supply Line Fusing	max. 10A
Connection terminals	screw clamp terminals
For solid wires	2 x 1.5mm <sup>2</sup>
Max product wattage	73Watts
Free air fan performance	63~650m <sup>3</sup> /hr

# WEISS™

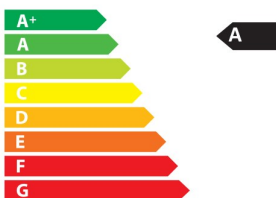
# ER Series

## Model HF-150PE EC Mixed Flow Fan



### ENERGY EFFICIENCY

WEISS HF150-PE



Model	Voltage (V)	Power (W)	Speed (RPM)	Airflow (m³/hr)
HF-150PE	220-230 50/60 Hz	3 ~ 73	500 ~ 3000	63 ~ 650

Specific Fan Power (SFP)

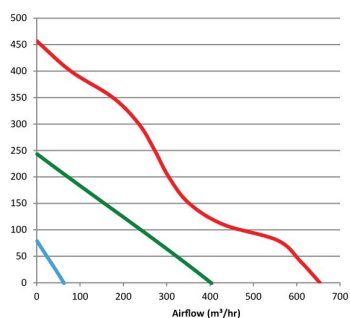
**0.356** Watts per l/s

Model	HF-150PE
Voltage (VA)	230
Frequency (Hz)	50 ~ 60
Current (A)	0.019 ~ 0.45
RPM	500 ~ 3000
Air Flow (m³/hr)	63 ~ 650
Air Flow (l/sec)	17 ~ 181
Pressure (Pa)	457
Power Max (watts)	73
Sound dB(A) Average	31
Max Operating Temp	60° C
IP Rating	IP44
Climate Class	T
Compliance:	AS/NZS 60355.2.80 T
Fan Construction	ABS Plastic

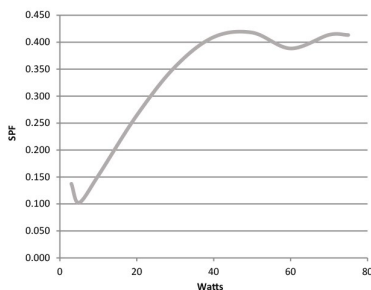
### Features and Benefits

- High flow and High pressure fan
- EC 3 Phase DC motor
- Re- engineered for New Zealand
- 50,000 hour rated bearings
- PWM or 0-10V control
- Main body removal for easy install

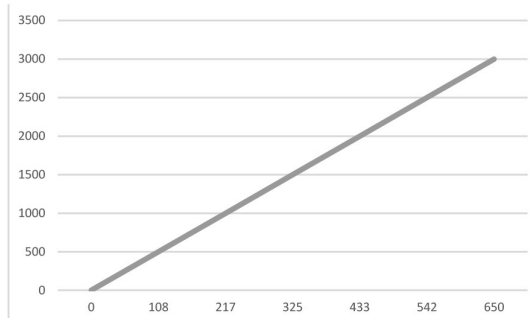
### Performance Curve



### Energy Curve



### Flow rates RPM



### Sound Performance Parameters

	dBa @ 3m	63 Hz	125 Hz	250 Hz	500 Hz	1k Hz	2k Hz	4k Hz	8k Hz	Total SPL
500 RPM	21.9	38	37	39	37	38	35	30	30	45.4
1500 RPM	36.2	47	46	54	55	53	49	32	38	59.7
3000 RPM	39.8	49	49	57	59	57	52	47	42	63.3